

RADIATOR COOLED CONTINUOUS DUTY GENERATOR SET

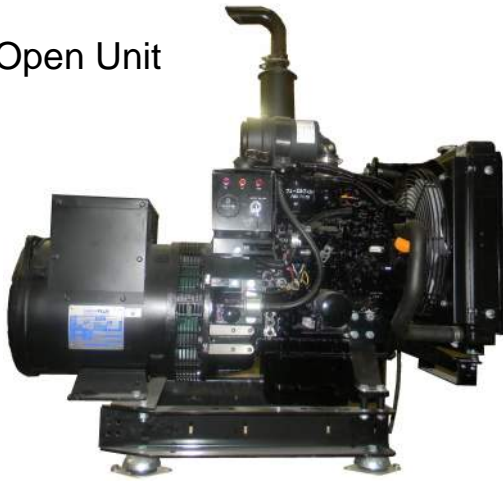
ENERGY PAC

Model number: **ML14IMRD**

POWERED BY:



Open Unit



Enclosed Unit



Generator Set Specifications

- Isuzu 3CE1 Diesel 3 Cylinder 1800 rpm Engine
- Marathon Brushless Generator End with Automatic Voltage Regulator
- Isuzu Control Panel (Indicator Lights, Hour Meter and Key Switch)
- Safety Shutdown System (Low Oil Pressure & High Coolant Temperature)
- 12 Volt Electrics
- Vibration Isolators
- Radiator
- Hoses
- Fan Guard
- Industrial Air Cleaner
- Engine Support Legs
- Steel Rail Skid
- Oil and Fuel Filters
- Industrial Muffler
- Owner's Manual
- 2 Year 2,000 Hour Engine Warranty
- 1 Year 1,000 Hour Generator Warranty

Generator Ratings

PH	Voltage	HZ	Continuous Rating	
			KW	AMP
1	120	60	14	117
1	240	60	14	58
3	208	60	14	49
3	240	60	14	42
3	480	60	14	21



M&L Engine, LLC

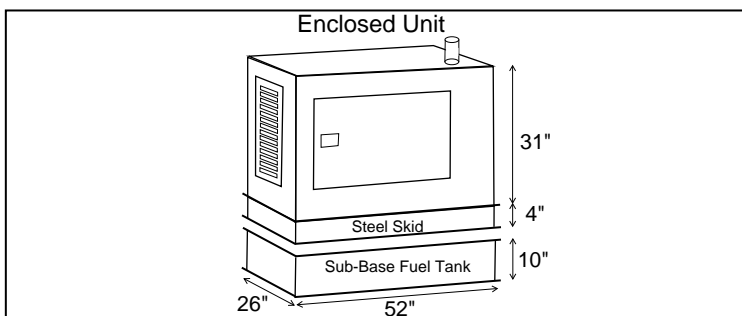
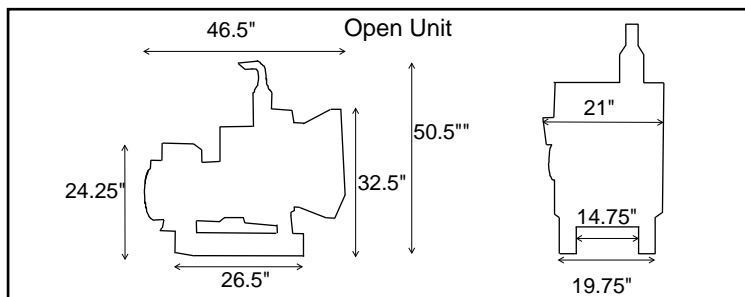
1212 Saint Charles St. Houma, LA 70360
(985) 857-8000 ♦ (800) 960-0068

www.mlengine.com email: sales@mlengine.com

Engine Specifications

Manufacturer	Isuzu
Engine Model	3CE1
Cylinder Arrangement	3 in-line 4 cycle
Rated RPM	1800
Horse Power at Rated RPM (bhp)	23.4
Governor Type	Mechanical
Frequency Regulation	3-5%
Air Cleaner	Replaceable Element
<u>Lubrication System:</u>	
Oil Capacity w/out filter, qt.	7.08
Oil Filter Type	Spin-on
<u>Fuel System:</u>	
Fuel Shutoff Solenoid	Electric
Fuel Pump	Mechanical
Fuel Pump Priming	Electric
Fuel Line Supply	5/16
Fuel Line Return	5/16
<u>Cooling System:</u>	
Engine Coolant Capacity, qt	2.1
Radiator Coolant Capacity, qt	3.6
Fan Type	Blower
<u>Approx Fuel Consumption, (GPH):</u>	
100% Load	1.09
75% Load	0.82
50% Load	0.50

Dimensions and Weights



- "Open" Genset Weight : 782 lbs.
- "Enclosed" Genset Weight: 944 lbs.
- "Enclosed with fuel tank" Weight: 1268 lbs.

Generator Specifications

Manufacturer	Marathon Electric Generators
Model	282CSL1515
Type	4 Pole
Exciter Type	Brushless
Leads: Quantity	4
Voltage Regulator	1% Automatic AVR
Insulation Material	B Type
Temperature Rise	80° C
Bearing Type	Sealed
Coupling	Direct Bolt-Up
Continuous Rating	14KW



Optional Accessories

- 8 Gallon Plastic Fuel Tank
- 13 Gallon Aluminum Fuel Tank
- 10 ft Wire Harness Extension for Isuzu Panel
- Racor Fuel / Water Separator
- ESD Air Shut Off Valve
- 6 ft Manual Cable for ESD Valve
- 2" Slip On Spark Arrestor
- 12 Volt Battery - Gr 24
- 12 Volt Battery Charger
- Oil Drain Valve
- Air Starter
- Mainline Breaker
- Welded Steel Skid
- Murphy Mechanical 4 Gauge Panel with:
 - Custom Length Wire Harness Extension
 - Optional Sealed Fiberglass Box
- Aluminum Enclosure Package with Stainless Steel Hardware
- Sub-Base Steel Fuel Tank Package with Fuel Level Gauge - 42 Gallon



M&L Engine, LLC

1212 Saint Charles St. Houma, LA 70360
(985) 857-8000 ♦ (800) 960-0068

www.mlengine.com email: sales@mlengine.com