

Isuzu Diesel Engines



## 3CA1

Generator: 10.4 HP @ 1800 RPM

Industrial Drive: 23.5 HP @ 3600 RPM

### Standard features:

---

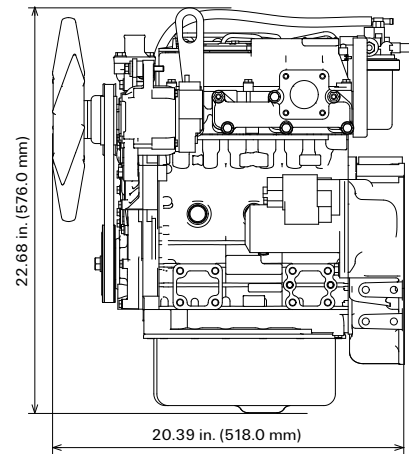
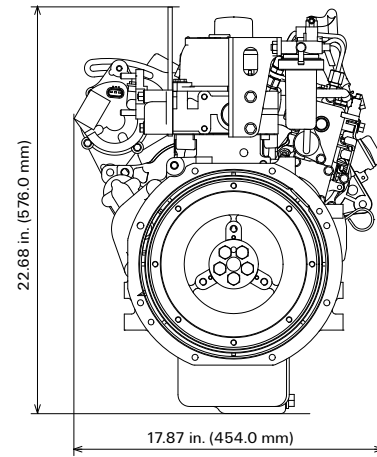
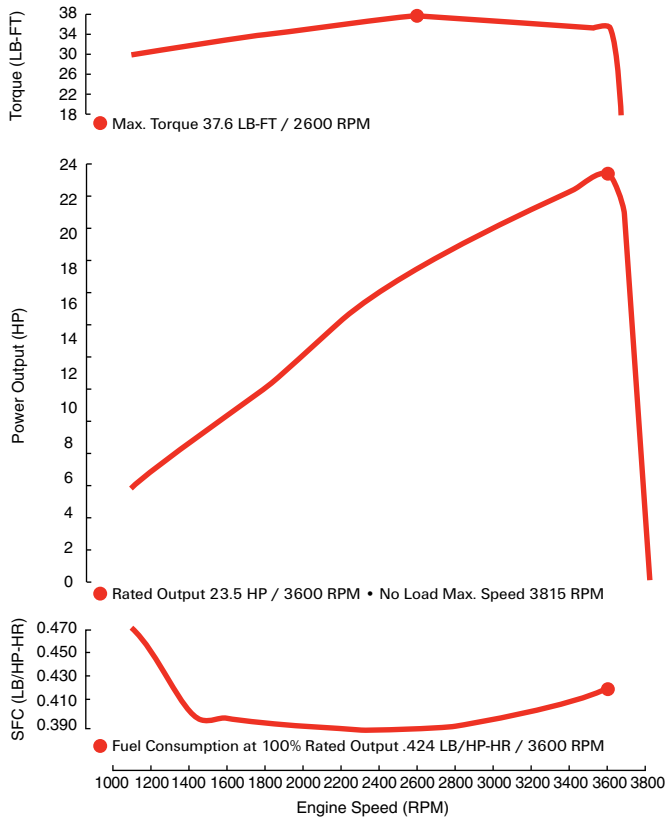
- U.S. EPA Tier 4 Interim
- Displacement: 0.9 L
- Naturally aspirated
- Peak torque: 37.6 lb/ft @ 2600 RPM
- Fuel consumption: .424 LB/HP-HR
- Flywheel housing: SAE 6
- Electric & self-priming fuel lift pump
- 12V electrics
- Glow plug starting aid
- High angularity oil pan
- 250-hour service intervals
- 2-year / 2,000-hour warranty

The power behind it all.

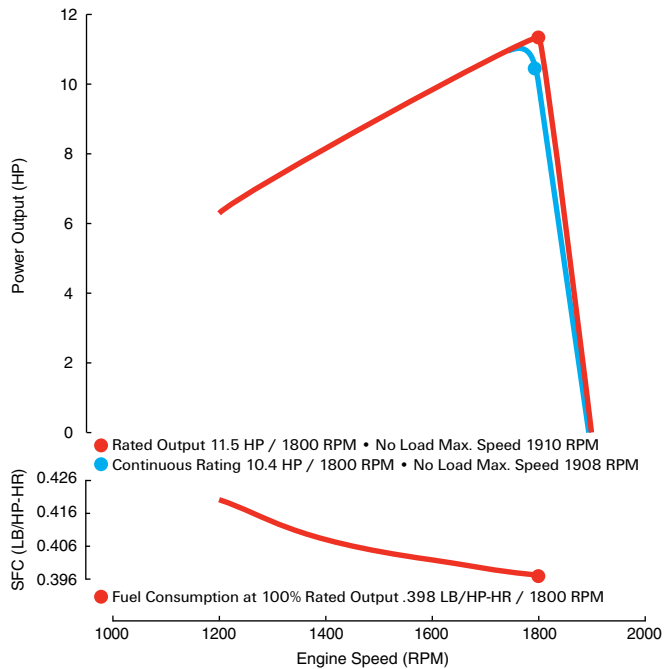
**ISUZU**

**DIESEL**

### 3CA1 Industrial Performance Curves:



### 3CA1 Genset Performance Curves:



#### Available options:

- Cooling system
- Air cleaner
- Exhaust system
- Front and rear mounts
- Skid base
- Instrument panel & extension harness
- Custom power unit

#### Horsepower comparison:

Engine Model	Cylinders	Displacement (L)	HP Range
2CA1	2	0.57	9-17
3CA1	3	0.9	15-22
3CB1	3	1.1	18-25

For additional information, please contact your local distributor or visit [www.isuzuengines.com](http://www.isuzuengines.com)

#### Isuzu Motors America, Inc.

46401 Commerce Center Drive  
 Plymouth, Michigan 48170  
 Phone: 734.582.9470  
 Fax: 734.455.7581