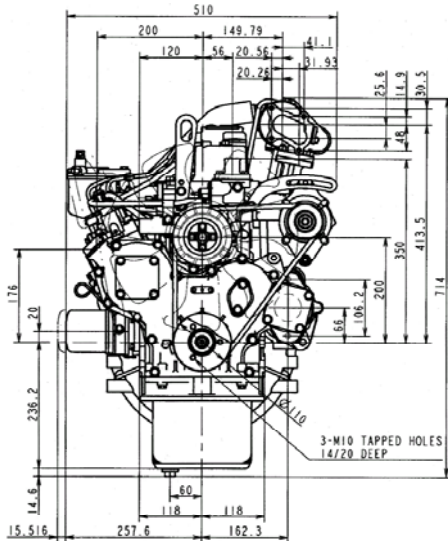


ISUZU 3CD1T

39 Horsepower
Industrial Diesel



Performance Curve Not Yet
Available at Time of Publish

MAIN SPECIFICATIONS

Type	3-Cylinder, 4 Cycle, Water Cooled, OHV, In- Line, Direct Injection, Turbocharged
Bore & Stroke	3.30 x 3.54 in. (84mm x 90mm)
Engine Displacement	1.5 L
Compression Ratio	19.0:1
Dry Weight	376 lb. (171 kg)
Dimensions (L x W x H)	24.21 x 20.07 x 28.11 in. (615 x 510 x 714mm)
Coolant Capacity	2.13 qt. (2L)
Lube Oil Capacity	7.14 qt. (6.7 L) (less filter)

MAIN FEATURES

Alternator	12V – 40A
Voltage Regulator	Internal
Starter	12V – 1.7kW
Exhaust Outlet	Left Forward
Air Inlet	Left Rearward
Flywheel Housing	SAE #5 Type
Flywheel	semi 7.5"
Oil Pan	30° Inclination All Directions
Fan	14.17in. (360mm) Suction

INDUSTRIAL RATING*

Rated Output	39 BHP @ 2800 RPM
Max Torque	88.1 lb. ft. @ 1500 RPM

*SAE J1995 Gross BHP

Specifications subject to change without notice.

ISUZU MOTORS AMERICA, INC.
PowerTrain Division

ISUZU
DIESEL

46401 Commerce Center Drive • Plymouth, MI 48170
PHONE: 734.582.9470 • FAX: 734.455.7581
www.isuzuengines.com