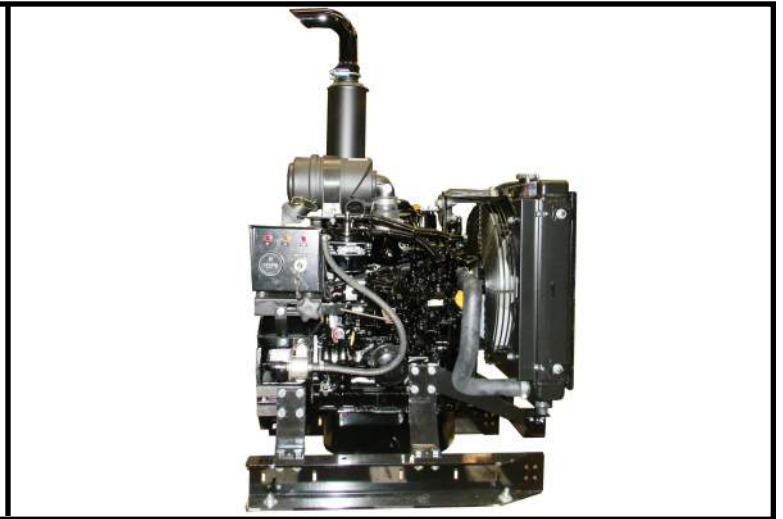


ISUZU INDUSTRIAL DIESEL OPEN POWER UNIT

38.9HP @ 3000RPM

Model number: 3CE1BDZP

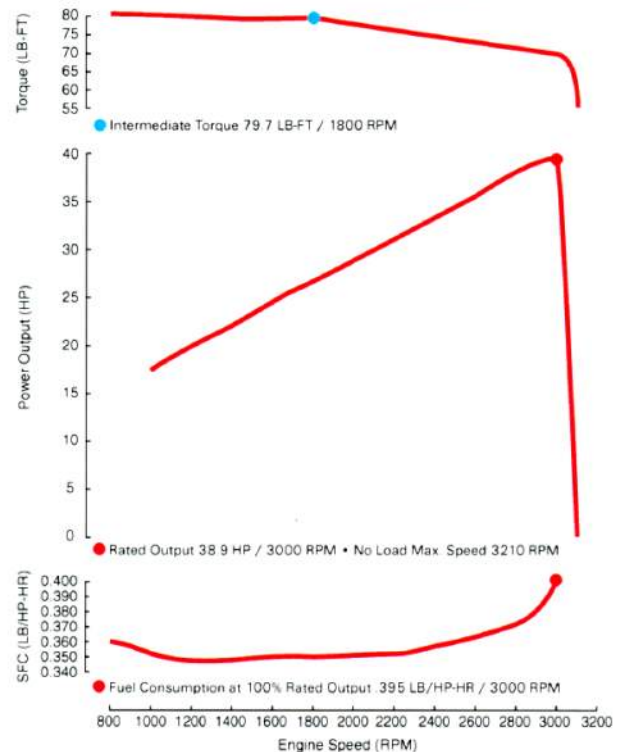
POWERED BY:



Power Unit Set Specifications

- Isuzu 3CE1 Diesel 3 Cylinder 38.9 HP at 3000 RPM Engine
- Isuzu Control Panel (Indicator lights, Hour Meter & Key Switch)
- Safety Shutdown System (Low Oil Pressure & High Coolant Temperature)
- Mechanical Fuel System
- Radiator
- Fan Guard
- Exhaust Muffler
- Industrial Air Cleaner
- Engine Support Legs
- Steel Rail Skid
- Throttle
- Oil and Fuel Filters
- 12 Volt Electrics
- Owner's Manual
- 2 Year 2,000 Hour Engine Warranty
- SAE 5 Bellhousing / SAE 7.5" Flywheel

3CE1 Industrial Performance Curves:



Engine Specifications

Manufacturer	Isuzu
Engine Model	3CE1
Cylinder Arrangement	3 in-line 4 cycle
Rated RPM	3000
Horse Power at Rated RPM (bhp)	38.9
Governor Type	Mechanical
Frequency Regulation	3-5%
Air Cleaner	Replaceable Element

Lubrication System:

Oil Capacity w/out filter, qt.	7.08
Oil Filter Type	Spin-on

Fuel System:

Fuel Shutoff Solenoid	Electric
Fuel Pump	Electric
Fuel Pump Priming	Electric
Fuel Line Supply	5/16
Fuel Line Return	5/16

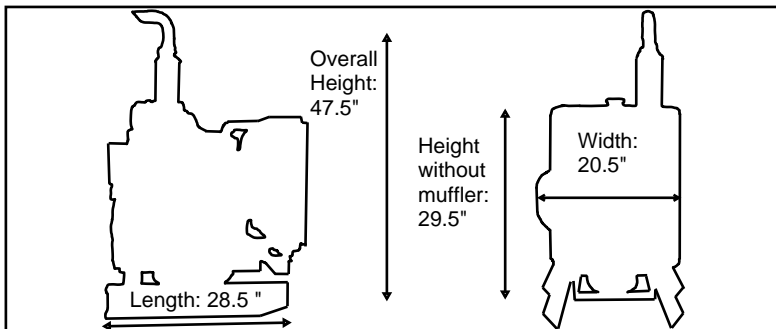
Cooling System:

Engine Coolant Capacity, qt	2.11
Radiator Coolant Capacity, qt	3.6
Fan Type	Puller

Approx Fuel Consumption, (GPH):

100% Load	1.86
75% Load	1.40
50% Load	0.93

Dimensions and Weights



- Open Power Unit Weight : 502 lbs.

Standard Control Panel



Optional Murphy Panel



Optional Isuzu Deluxe Panel



Optional Murphy Auto Start Panel



Optional PTO Specifications

Manufacturer	W.P.T
Model	WTD-07-150
Number of Drive Plates	1
Diameter of Clutch Drive Plate	7
SAE Size	5
Warranty	1 year 2,000 hour

Optional Accessories

- PTO
- 10' Wire Harness Extension for Standard Panel
- Isuzu Deluxe Panel
- Murphy Mechanical 4 Gauge Panel with Custom Length Wire Harness Extension and:
 - Tachometer
 - Sealed Fiberglass Box
- Murphy Auto Start Panel Includes 10' Wire Harness with Optional Accessories:
 - 15 Watt Solar Panel
 - 24 Volt Battery Charged
 - Mechanical Float Switch
- 8 Gallon Plastic Fuel Tank
- 13 Gallon Aluminum Fuel Tank
- Racor Fuel / Water Separator
- 12 Volt Battery - Gr 24
- 12 Volt Battery Charger
- Battery Cables
- ESD Air Shut Down Valve
- 6' Manual Cable for ESD Valve
- Spark Arrestor
- Oil Drain Valve
- Air Starter
- Welded Skid
- Bearing Support Stub Shaft
- Hydraulic Pump Adapter
- Aluminum Enclosure
- 16 Gallon Sub-Base Fuel Tank



M&L Engine, LLC

1212 Saint Charles St. Houma, LA 70360
(985) 857-8000 ♦ (800) 960-0068

www.mlengine.com email: sales@mlengine.com