

ISUZU INDUSTRIAL DIESEL OPEN POWER UNIT

293HP @ 2000RPM

Model number: 6HK1XYBW

POWERED BY:

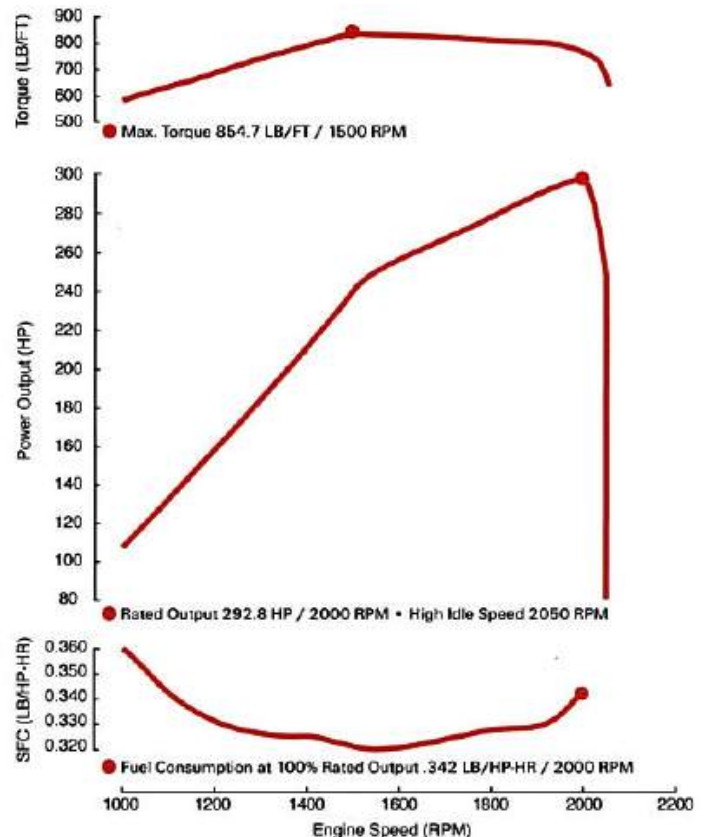


* Pictures may include optional accessories.

Power Unit Set Specifications

- Isuzu 6HK1X Diesel 6 Cylinder 293 HP at 2000 RPM Turbo Charged, Charged Air Cooled Engine
- Isuzu Control Panel (Murphy Power View Display, Programmable Speed Setting, Throttle Control, and Key Switch)
- Safety Shutdown System (Low Oil Pressure & High Coolant Temperature)
- Common Rail Fuel System
- Radiator with constant torque clamps
- Fan Guard
- Painted Bent Steel Plumbing
- Industrial Exhaust Muffler
- Industrial Air Cleaner
- Engine Support Legs
- Steel Skid
- Throttle
- Oil and Fuel Filters with 500 Hour Service Intervals
- 24 Volt Electrics
- Owner's Manual
- 5 Year 5,000 Hour Engine Warranty
- SAE 2 Bellhousing / SAE 11.5" Flywheel

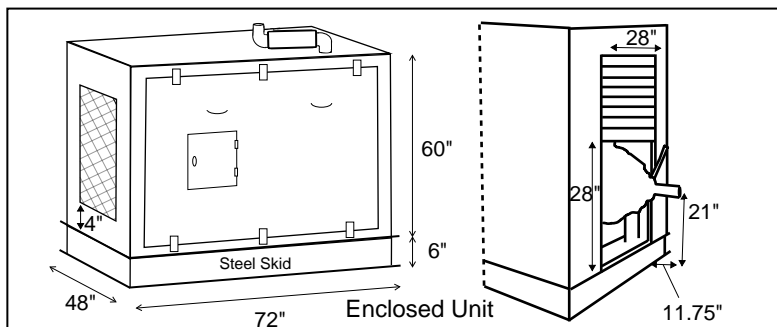
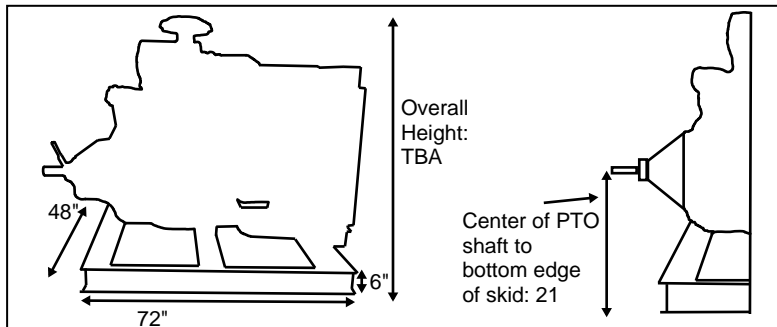
6HK1X Industrial Performance Curves:



Engine Specifications

Manufacturer	Isuzu
Engine Model	6HK1X
Cylinder Arrangement	6 in-line 4 cycle
Rated RPM	2000
Horse Power at Rated RPM (bhp)	293
Governor Type	Mechanical
Frequency Regulation	3-5%
Air Cleaner	Replaceable Element
Lubrication System:	
Oil Capacity w/out filter, qt.	40.15
Oil Filter Type	Spin-on
Fuel System:	
Fuel Shutoff Solenoid	Electric
Fuel Pump	Electric
Fuel Pump Priming	Electric
Fuel Line Supply	5/16
Fuel Line Return	5/16
Cooling System:	
Engine Coolant Capacity, qt	15.32
Radiator Coolant Capacity, qt	24.5
Fan Type	Puller (Pusher Available)
Approx Fuel Consumption, (GPH):	
100% Load	11.8
75% Load	8.7
50% Load	5.9

Dimensions and Weights



- Open Power Unit Weight : 2284 lbs.
- Optional Enclosed Power Unit Weight : 2918 lbs.

Standard
Control
Panel



Optional
Remote
Panel



Optional
Murphy Auto
Start Panel



Optional PTO Specifications

Manufacturer	W.P.T.
Model	WPD-11-220
Number of Drive Plates	2
Diameter of Clutch Drive Plate	11.5
SAE Size	2
Warranty	1 year 2,000 hour

Optional Accessories

- PTO with Kevlar Heavy Duty Dual Plates
- Remote Panel Option with Wire Harness
- Available in:
 - 6 foot
 - 10 foot
 - 20 foot
- Murphy Auto Start Panel Includes 10' Wire Harness with Optional Accessories:
 - 15 Watt Solar Panel
 - 24 Volt Battery Charger
 - Mechanical Float Switch
- (2) Racor Fuel / Water Separator
- (2) 8D Batteries - 24 Volt, Dual Batteries
- 24 Volt Battery Charger
- Battery Cables
- ESD Air Shut Down Valve
- 6' Manual Cable for ESD Valve
- Spark Arrestor
- Oil Drain Valve
- Hydraulic Pump Adapter
- Weatherized Aluminum Enclosure with Stainless Steel Hardware



M&L Engine, LLC

1212 Saint Charles St. Houma, LA 70360
(985) 857-8000 ♦ (800) 960-0068

www.mlengine.com email: sales@mlengine.com