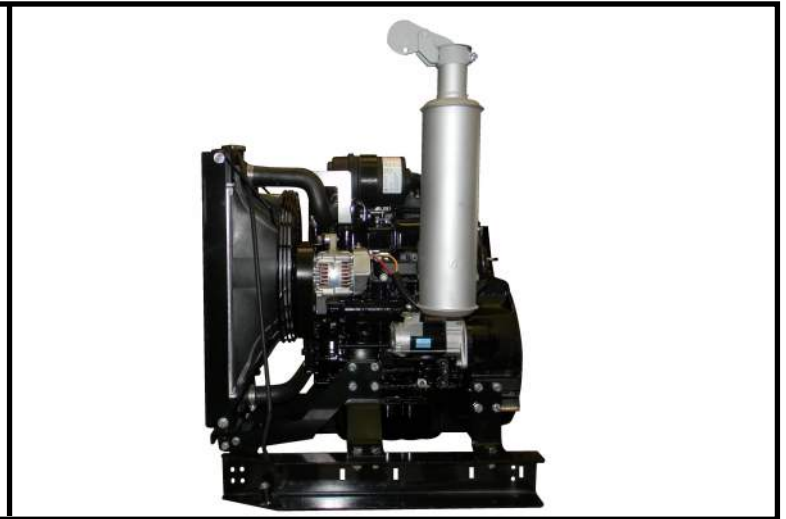


# ISUZU INDUSTRIAL DIESEL OPEN POWER UNIT

## 19HP @ 3000RPM

## Model number: 3CJ1SDZP

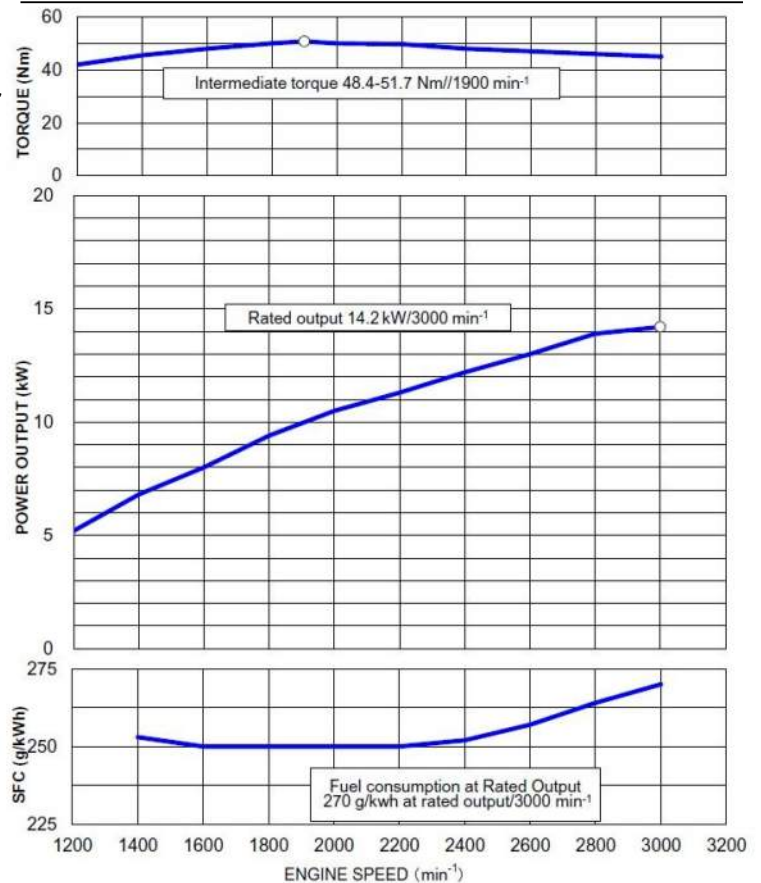
POWERED BY:



### Power Unit Set Specifications

- Isuzu 3CJ1 Diesel 3 Cylinder 19 HP at 3000 RPM Engine
- Isuzu Control Panel (Indicator Lights, Hour Meter & Key Switch)
- Safety Shutdown System (Low Oil Pressure & High Coolant Temperature)
- Mechanical Fuel System
- Radiator
- Fan Guard
- Exhaust Muffler
- Industrial Air Cleaner
- Engine Support Legs
- Steel Rail Skid
- Throttle
- Oil and Fuel Filters
- 12 Volt Electrics
- Owner's Manual
- 2 Year 2,000 Hour Engine Warranty
- SAE 5 Bellhousing / SAE 7.5" Flywheel

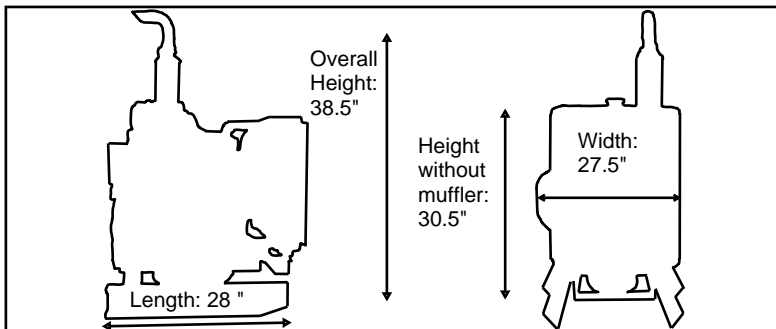
### 3CJ1 Industrial Performance Curves:



## Engine Specifications

Manufacturer	Isuzu
Engine Model	3CJ1
Cylinder Arrangement	3 in-line 4 cycle
Rated RPM	3000
Horse Power at Rated RPM (bhp)	19
Governor Type	Mechanical
Frequency Regulation	3-5%
Air Cleaner	Replaceable Element
<u>Lubrication System:</u>	
Oil Capacity w/out filter, qt.	3.8
Oil Filter Type	Spin-on
<u>Fuel System:</u>	
Fuel Shutoff Solenoid	Electric
Fuel Pump	Electric
Fuel Pump Priming	Electric
Fuel Line Supply	5/16
Fuel Line Return	5/16
<u>Cooling System:</u>	
Engine Coolant Capacity, qt	0.9
Radiator Coolant Capacity, qt	3.6
Fan Type	Puller
<u>Approx Fuel Consumption, (GPH):</u>	
100% Load	1.36
75% Load	1.02
50% Load	0.68

## Dimensions and Weights



- Open Power Unit Weight : 406 lbs.

Standard Control Panel



Optional Murphy Panel



Optional Isuzu Deluxe Panel



Optional Murphy Auto Start Panel



## Optional PTO Specifications

Manufacturer	W.P.T.
Model	WTD-07-150
Number of Drive Plates	1
Diameter of Clutch Drive Plate	7
SAE Size	5
Warranty	1 year 2,000 hour

## Optional Accessories

- PTO
- Wire Harness Extension for Standard Panel
  - 5' Length
  - 10' Length
- Isuzu Deluxe Panel
- Murphy Mechanical 4 Gauge Panel with Custom Length Wire Harness Extension and:
  - Tachometer
  - Sealed Fiberglass Box
- Murphy Auto Start Panel Includes 10' Wire Harness with Optional Accessories:
  - 15 Watt Solar Panel
  - 24 Volt Battery Charged
  - Mechanical Float Switch
- 8 Gallon Plastic Fuel Tank
- 13 Gallon Aluminum Fuel Tank
- Racor Fuel / Water Separator
- 12 Volt Battery - Gr 24
- 12 Volt Battery Charger
- Battery Cables
- ESD Air Shut Down Valve
- 6' Manual Cable for ESD Valve
- Spark Arrestor
- Oil Drain Valve
- Air Starter
- Welded Steel
- Bearing Support Stub Shaft
- Hydraulic Pump Adapter
- Aluminum Enclosure
- 16 Gallon Sub-Base Fuel Tank



### M&L Engine, LLC

1212 Saint Charles St. Houma, LA 70360  
(985) 857-8000 ♦ (800) 960-0068

[www.mlengine.com](http://www.mlengine.com) email: sales@mlengine.com