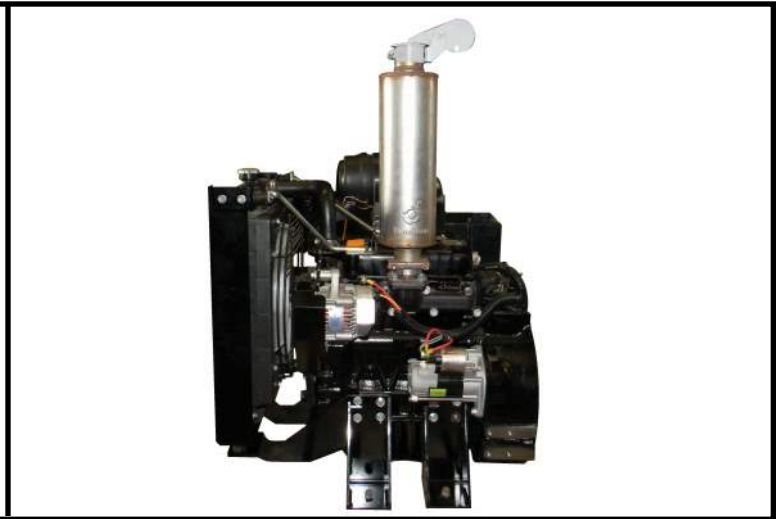
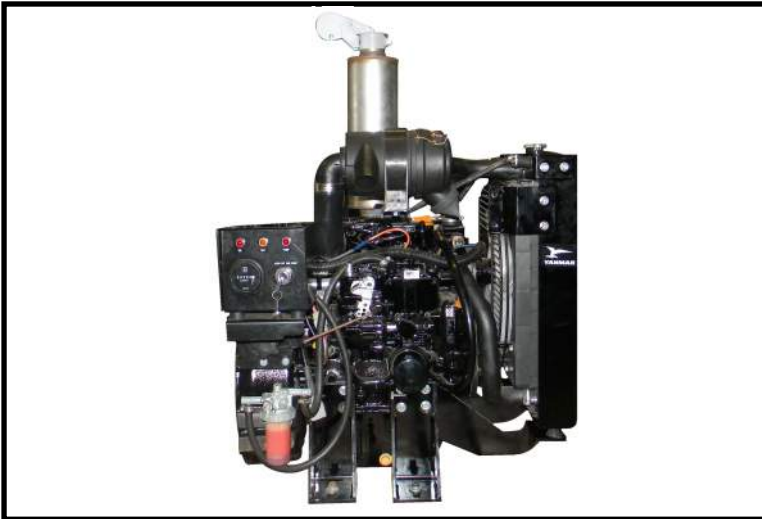


YANMAR INDUSTRIAL DIESEL OPEN POWER UNIT

22.8HP @ 3600RPM

Model number: 3TNM74F

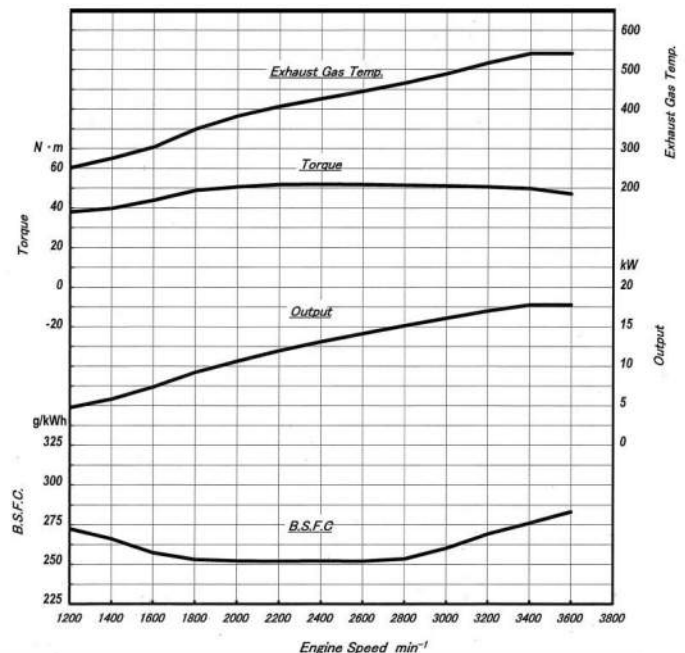
POWERED BY: **YANMAR**



Power Unit Set Specifications

- Yanmar 3TNM74F Diesel 3 Cylinder 22.8 HP at 3600 RPM Engine
- Control Panel (Indicator lights, Hour Meter & Key Switch)
- Safety Shutdown System (Low Oil Pressure & High Coolant Temperature)
- Radiator
- Fan Guard
- Exhaust Muffler
- Industrial Air Cleaner
- Engine Support Legs
- Throttle
- Oil and Fuel Filters
- 12 Volt Electrics
- Owner's Manual
- 2 Year 2,000 Hour Engine Warranty
- SAE 5 Bellhousing / SAE 6.5" Flywheel

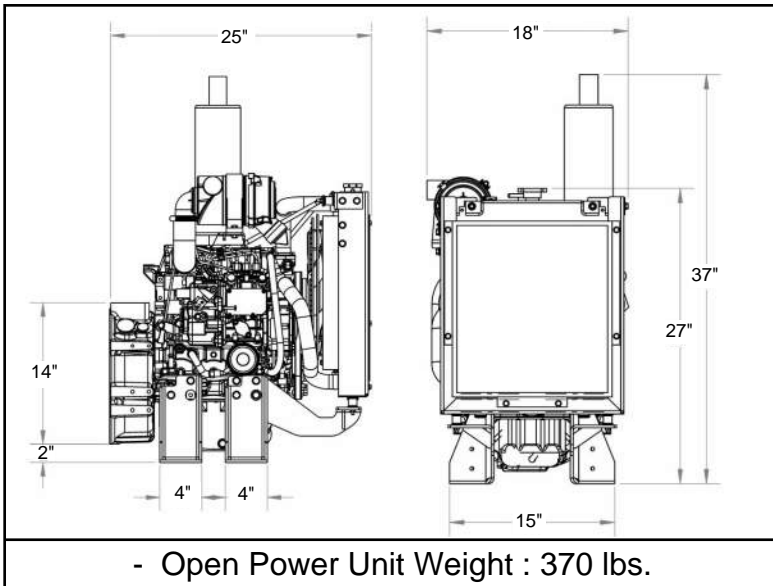
3TNM74F-SAA Performance Curves



Engine Specifications

Manufacturer	Yanmar
Engine Model	3TNM74F
Cylinder Arrangement	3 in-line 4 cycle
Rated RPM	3600
Horse Power at Rated RPM (bhp)	22.8
Governor Type	Mechanical
Frequency Regulation	3-5%
Air Cleaner	Replaceable Element
<u>Lubrication System:</u>	
Oil Capacity w/out filter, qt.	3.06
Oil Filter Type	Spin-on
<u>Fuel System:</u>	
Fuel Shutoff Solenoid	Electric
Fuel Pump	Electric
Fuel Pump Priming	Electric
Fuel Line Supply	5/16
Fuel Line Return	5/16
<u>Cooling System:</u>	
Engine Coolant Capacity, qt	1.06
Radiator Coolant Capacity, qt	3.50
Fan Type	Puller
<u>Approx Fuel Consumption, (GPH):</u>	
100% Load	1.3
75% Load	0.9
50% Load	0.6

Dimensions and Weights



Standard
Control
Panel



Optional
Deluxe
Panel



Optional
Murphy
Mechanical
Panel



Optional
Electric ML
Murphy Tach
Panel



Optional PTO Specifications

Manufacturer	N.A.C.D.
Model	411294AM
Sliding Sleeve with:	Brass Throwout Collar
Number of Drive Plates	1
Diameter of Clutch Drive Plate	6.5
SAE Size	5
Warranty	1 year 2,000 hour

Optional Accessories

- PTO
- 10' Wire Harness Extension for Standard Panel
- Isuzu Deluxe Panel
- Murphy Mechanical 4 Gauge Panel with Custom Length Wire Harness Extension and:
 - Tachometer
 - Sealed Fiberglass Box
- Murphy PV380 LCD Display Engine Panel
- Electric ML Murphy Tach Panel
- Auto Start Panel and Throttle
 - 15 Watt Solar Panel
 - 12 Volt Battery Charger
 - Mechanical Float Switch
- 8 Gallon Plastic Fuel Tank
- 13 Gallon Aluminum Fuel Tank
- 18 Gallon Aluminum Fuel Tank
- Racor Fuel / Water Separator
- 12 Volt Battery - Gr 24
- 12 Volt Battery Charger
- Battery Cables
- ESD Air Shut Down Valve
- 6' Manual Cable for ESD Valve
- Spark Arrestor
- Oil Drain Valve
- Air Starter
- Rail Skid
- Welded Skid
- Bearing Support Stub Shaft
- Hydraulic Pump Adapter
- Aluminum Enclosure
- 16 Gallon Sub-Base Fuel Tank



YANMAR

M&L Engine, LLC

1212 Saint Charles St. Houma, LA 70360
(985) 857-8000 ♦ (800) 960-0068

www.mlengine.com email: sales@mlengine.com