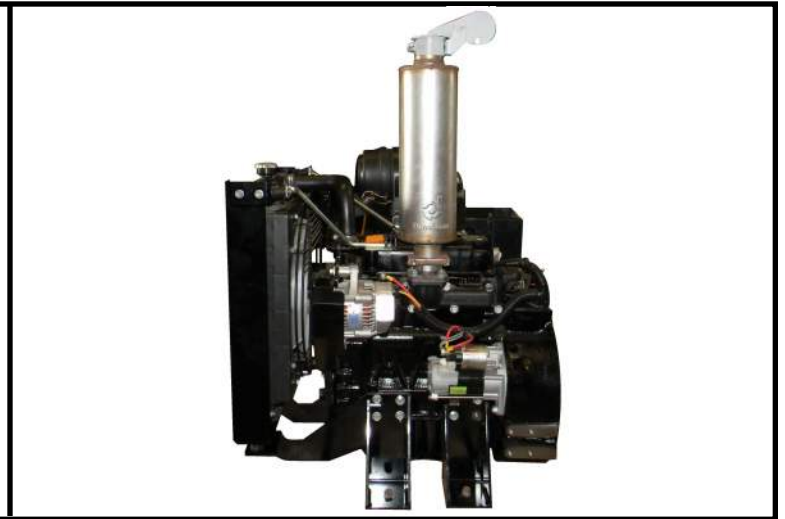
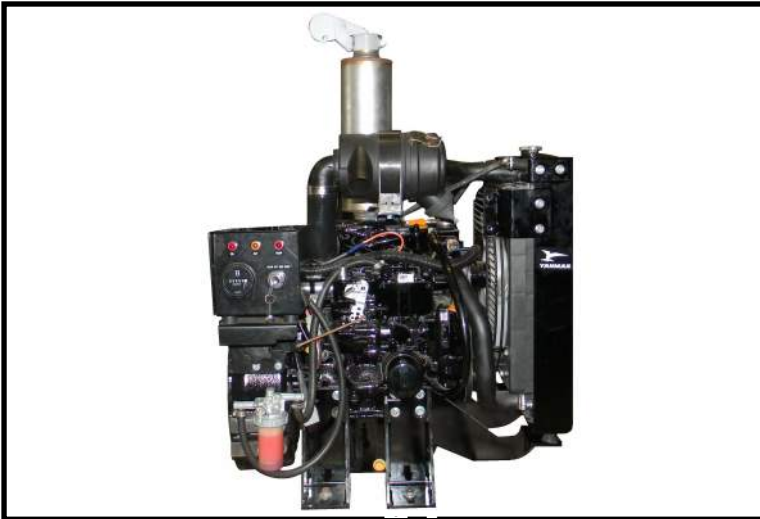


# YANMAR INDUSTRIAL DIESEL OPEN POWER UNIT

## 18.1HP @ 3000RPM

Model number: 3TNV74F

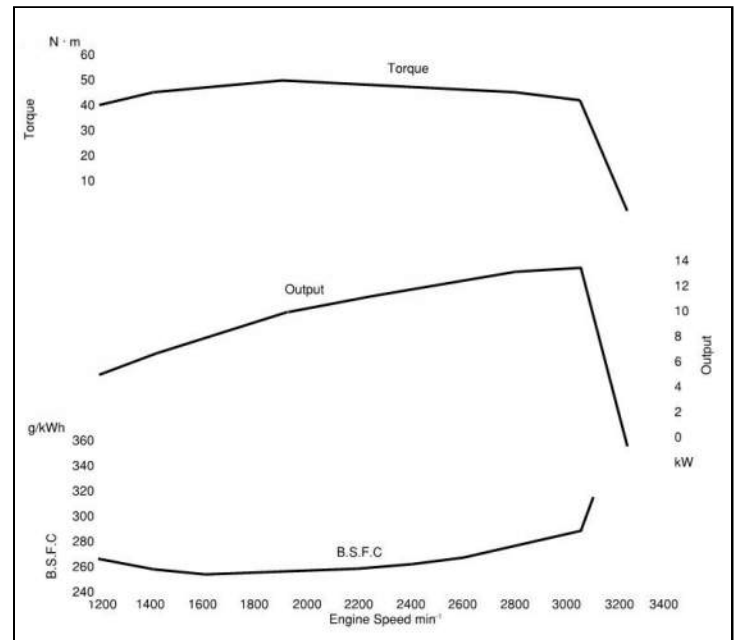
POWERED BY: **YANMAR**



### Power Unit Set Specifications

- Yanmar 3TNV74F Diesel 3 Cylinder 18.1 HP at 3000 RPM Engine
- Control Panel (Indicator lights, Hour Meter & Key Switch)
- Safety Shutdown System (Low Oil Pressure & High Coolant Temperature)
- Radiator
- Fan Guard
- Exhaust Muffler
- Industrial Air Cleaner
- Engine Support Legs
- Throttle
- Oil and Fuel Filters
- 12 Volt Electrics
- Owner's Manual
- 2 Year 2,000 Hour Engine Warranty
- SAE 5 Bellhousing / SAE 7.5" Flywheel

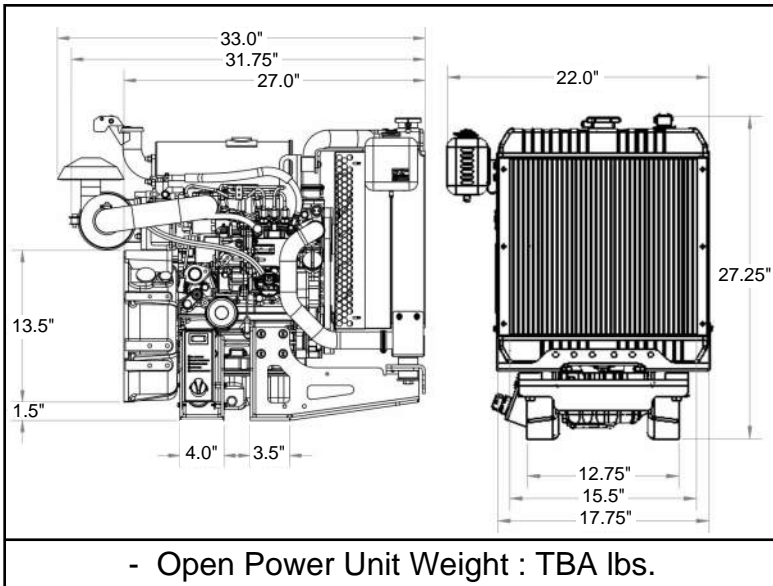
### 3TNV74F-SDSA Performance Curves



## Engine Specifications

Manufacturer	Yanmar
Engine Model	3TNV74F
Cylinder Arrangement	3 in-line 4 cycle
Rated RPM	3000
Horse Power at Rated RPM (bhp)	18.1
Governor Type	Mechanical
Frequency Regulation	3-5%
Air Cleaner	Replaceable Element
<u>Lubrication System:</u>	
Oil Capacity w/out filter, qt.	2.80
Oil Filter Type	Spin-on
<u>Fuel System:</u>	
Fuel Shutoff Solenoid	Electric
Fuel Pump	Electric
Fuel Pump Priming	Electric
Fuel Line Supply	5/16
Fuel Line Return	5/16
<u>Cooling System:</u>	
Engine Coolant Capacity, qt	0.90
Radiator Coolant Capacity, qt	3.50
Fan Type	Puller
<u>Approx Fuel Consumption, (GPH):</u>	
100% Load	1.5
75% Load	0.8
50% Load	0.5

## Dimensions and Weights



Standard Control Panel      Optional Deluxe Panel      Optional Murphy Mechanical Panel      Optional Electric ML Murphy Tach Panel



## Optional PTO Specifications

Manufacturer	W.P.T
Model	WTD-07-150
Number of Drive Plates	1
Diameter of Clutch Drive Plate	7
SAE Size	5
Warranty	1 year 2,000 hour

## Optional Accessories

- PTO
- Wire Harness Extension for Standard Panel:
  - 5 foot
  - 10 foot
  - 15 foot
- Isuzu Deluxe Panel
- Murphy Mechanical 4 Gauge Panel with Custom Length Wire Harness Extension and:
  - Tachometer
  - Sealed Fiberglass Box
- Murphy PV380 LCD Display Engine Panel
- Electric ML Murphy Tach Panel
- Auto Start Panel and Throttle
  - 15 Watt Solar Panel
  - 12 Volt Battery Charger
  - Mechanical Float Switch
- 8 Gallon Plastic Fuel Tank
- 13 Gallon Aluminum Fuel Tank
- 18 Gallon Aluminum Fuel Tank
- Racor Fuel / Water Separator
- 12 Volt Battery - Gr 24
- 12 Volt Battery Charger
- Battery Cables
- ESD Air Shut Down Valve
- 6' Manual Cable for ESD Valve
- Spark Arrestor
- Oil Drain Valve
- Air Starter
- Welded Skid
- Bearing Support Stub Shaft
- Hydraulic Pump Adapter
- Aluminum Enclosure
- 16 Gallon Sub-Base Fuel Tank



**YANMAR**

**M&L Engine, LLC**

1212 Saint Charles St. Houma, LA 70360  
(985) 857-8000 ♦ (800) 960-0068

[www.mlengine.com](http://www.mlengine.com) email: sales@mlengine.com