

YANMAR INDUSTRIAL DIESEL OPEN POWER UNIT

24.4HP @ 2200RPM

Model number: 3TNV88F

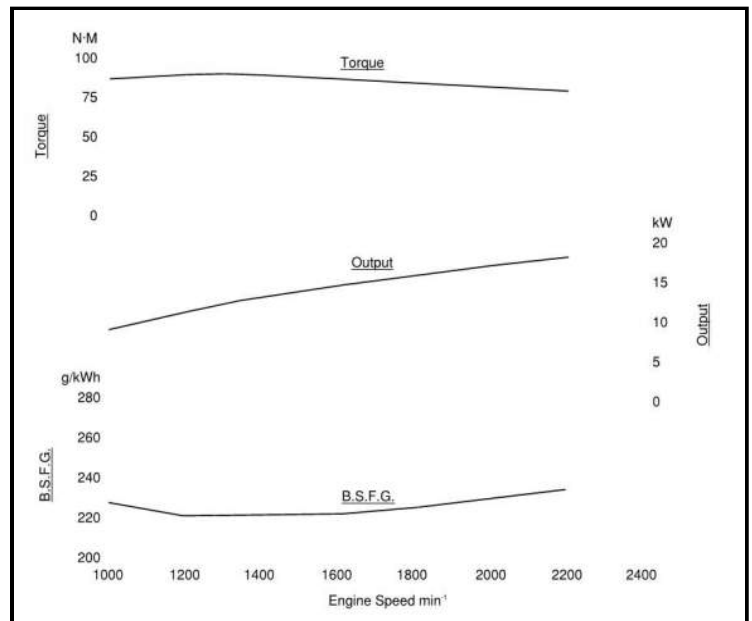
POWERED BY: **YANMAR**



Power Unit Set Specifications

- Yanmar 3TNV88F Diesel 3 Cylinder 24.4 HP at 2200 RPM Engine
- Control Panel
- Safety Shutdown System (Low Oil Pressure & High Coolant Temperature)
- Radiator
- Fan Guard
- Exhaust DPF Muffler
- Industrial Air Cleaner
- Engine Support Legs
- Steel Rail Skid
- Throttle
- Oil and Fuel Filters
- 12 Volt Electrics
- Owner's Manual
- 2 Year 2,000 Hour Engine Warranty
- SAE 5 Bellhousing / SAE 7.5" Flywheel

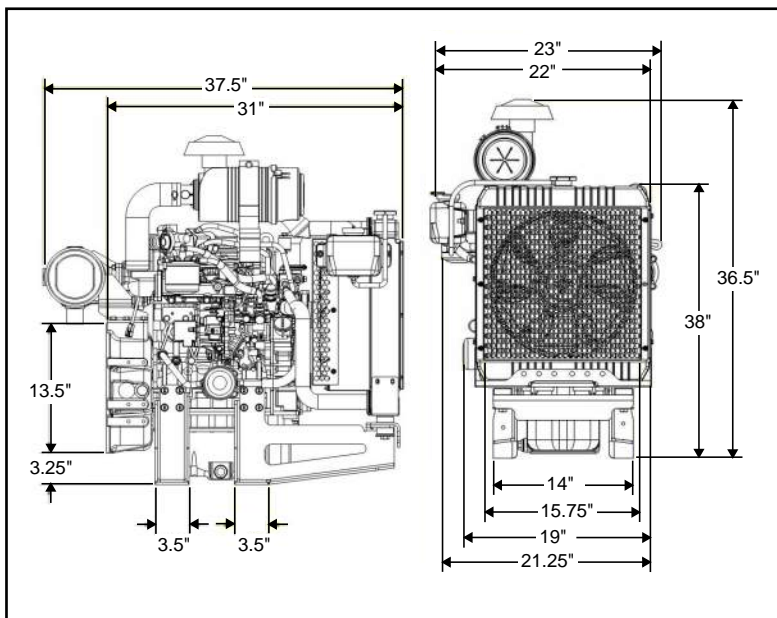
3TNV88F-ESGY Performance Curves



Engine Specifications

Manufacturer	Yanmar
Engine Model	3TNV88F
Cylinder Arrangement	3 in-line 4 cycle
Rated RPM	2200
Horse Power at Rated RPM (bhp)	24.4
Governor Type	Mechanical
Frequency Regulation	3-5%
Air Cleaner	Replaceable Element
Lubrication System:	
Oil Capacity w/out filter, qt.	6.70
Oil Filter Type	Spin-on
Fuel System:	
Fuel Shutoff Solenoid	Electric
Fuel Pump	Electric
Fuel Pump Priming	Electric
Fuel Line Supply	5/16
Fuel Line Return	5/16
Cooling System:	
Engine Coolant Capacity, qt	2.00
Radiator Coolant Capacity, qt	3.50
Fan Type	Puller
Approx Fuel Consumption, (GPH):	
100% Load	1.6
75% Load	1.2
50% Load	0.8

Dimensions and Weights



- Open Power Unit Weight : TBA lbs.

Standard Control
Panel



Optional Murphy
Auto Start Panel



Optional PTO Specifications

Manufacturer	N.A.C.D.
Model	411298T
Sliding Sleeve with:	Brass Throwout Collar
Number of Drive Plates	1
Diameter of Clutch Drive Plate	7.5
SAE Size	5
Warranty	1 year 2,000 hour

Optional Accessories

- PTO
- Wire Harness and ECU Bracket Only
- Wire Harness Extension for Standard Panel:
 - 5 foot
 - 10 foot
- Auto Start Panel and Throttle
 - 15 Watt Solar Panel
 - 12 Volt Battery Charger
 - Mechanical Float Switch
- Duralite Air Cleaner Option
- 13 Gallon Aluminum Fuel Tank
- Racor Fuel / Water Separator
- 12 Volt Battery - Gr 24
- 12 Volt Battery Charger
- Battery Cables
- ESD Air Shut Down Valve
- 6' Manual Cable for ESD Valve
- Spark Arrestor
- Oil Drain Valve
- Air Starter
- Welded Skid
- Bearing Support Stub Shaft
- Hydraulic Pump Adapter
- Aluminum Enclosure
- 16 Gallon Sub-Base Fuel Tank



YANMAR

M&L Engine, LLC

1212 Saint Charles St. Houma, LA 70360
(985) 857-8000 ♦ (800) 960-0068

www.mlengine.com email: sales@mlengine.com