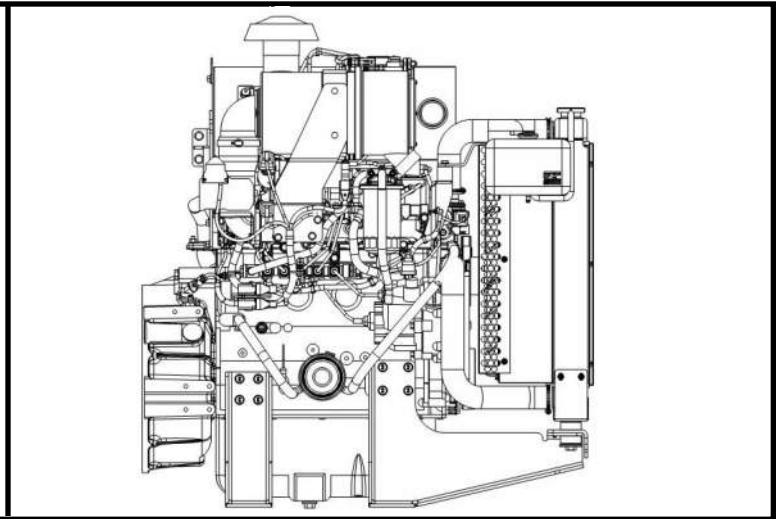
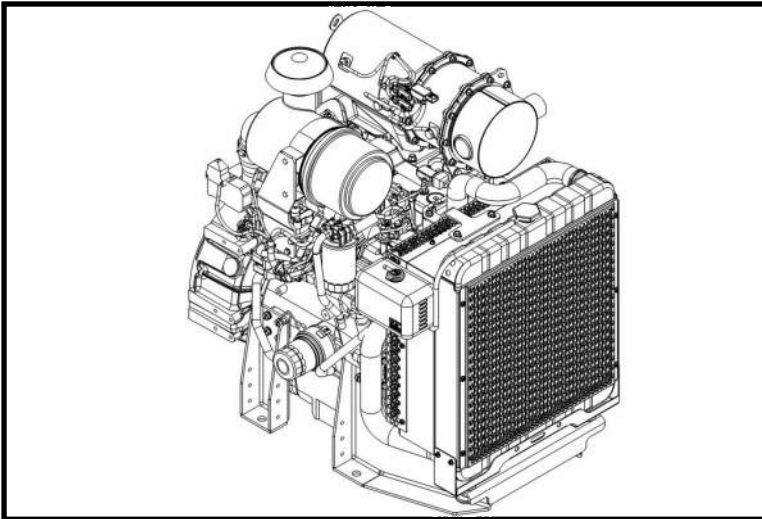


YANMAR INDUSTRIAL DIESEL OPEN POWER UNIT

69.3HP @ 2500RPM

Model number: 4TNV98C

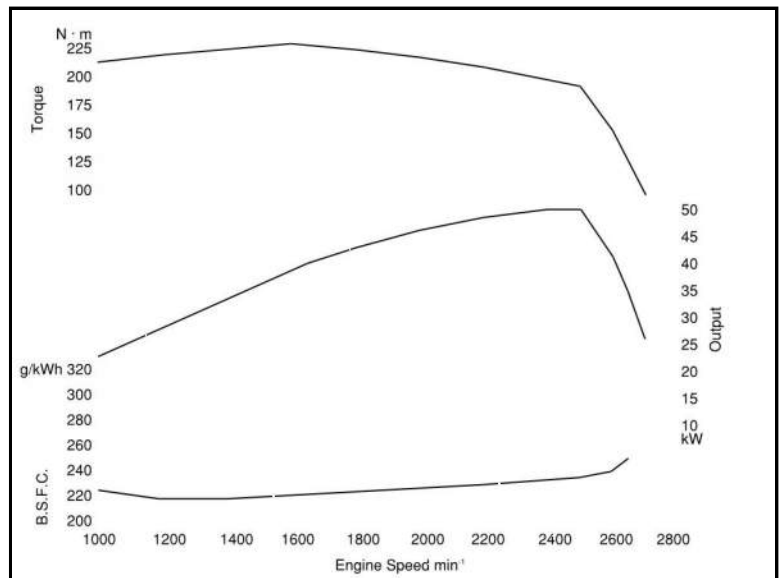
POWERED BY: **YANMAR**



Power Unit Set Specifications

- Yanmar 4TNV98C Diesel 4 Cylinder 69.3 HP at 2500 RPM Engine
- Control Panel
- Safety Shutdown System (Low Oil Pressure & High Coolant Temperature)
- Radiator
- Fan Guard
- Exhaust DPF Muffler
- Industrial Air Cleaner
- Engine Support Legs
- Steel Rail Skid
- Throttle
- Oil and Fuel Filters
- 12 Volt Electrics
- Owner's Manual
- 2 Year 2,000 Hour Engine Warranty
- SAE 4 Bellhousing / SAE 10" Flywheel

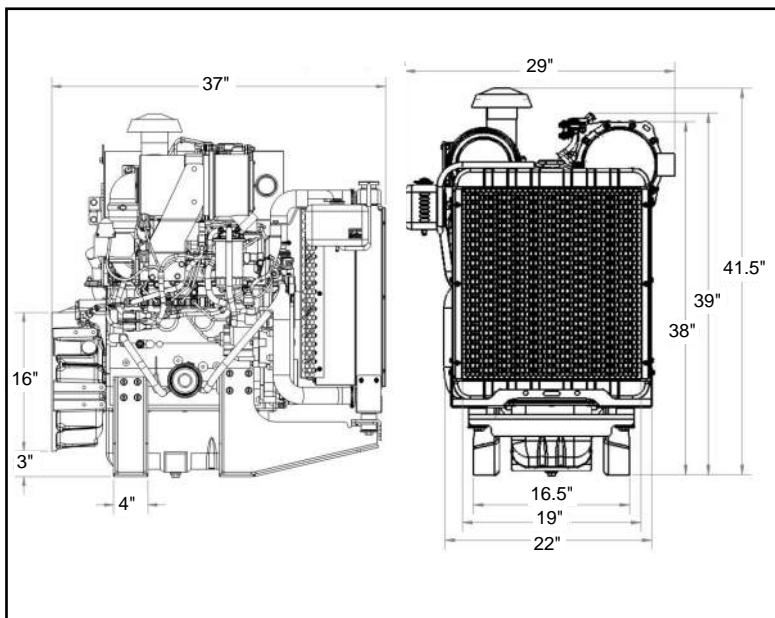
4TNV98C-NYEM Performance Curves



Engine Specifications

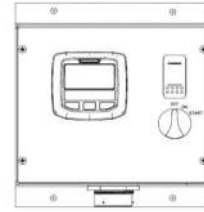
Manufacturer	Yanmar
Engine Model	4TNV98C
Cylinder Arrangement	4 in-line 4 cycle
Rated RPM	2500
Horse Power at Rated RPM (bhp)	69.3
Governor Type	Mechanical
Frequency Regulation	3-5%
Air Cleaner	Replaceable Element
<u>Lubrication System:</u>	
Oil Capacity w/out filter, qt.	10.20
Oil Filter Type	Spin-on
<u>Fuel System:</u>	
Fuel Shutoff Solenoid	Electric
Fuel Pump	Electric
Fuel Pump Priming	Electric
Fuel Line Supply	5/16
Fuel Line Return	5/16
<u>Cooling System:</u>	
Engine Coolant Capacity, qt	4.50
Radiator Coolant Capacity, qt	14.00
Fan Type	Puller
<u>Approx Fuel Consumption, (GPH):</u>	
100% Load	3.2
75% Load	2.4
50% Load	1.6

Dimensions and Weights



- Open Power Unit Weight : TBA lbs.

Standard Control Panel



Optional PTO Specifications

Manufacturer	W.P.T.
Model	WTD-10-140
Number of Drive Plates	1
Diameter of Clutch Drive Plate	10
SAE Size	4
Warranty	1 year 2,000 hour

Optional Accessories

- PTO
- Wire Harness Extension for Standard Panel:
 - 5 foot
 - 10 foot
 - 15 foot
- 8 Gallon Plastic Fuel Tank
- 13 Gallon Aluminum Fuel Tank
- 18 Gallon Aluminum Fuel Tank
- Racor Fuel / Water Separator
- 12 Volt Battery - Gr 24
- 12 Volt Battery Charger
- Battery Cables
- ESD Air Shut Down Valve
- 6' Manual Cable for ESD Valve
- Spark Arrestor
- Oil Drain Valve
- Air Starter
- Welded Skid
- Bearing Support Stub Shaft
- Hydraulic Pump Adapter
- Aluminum Enclosure
- 16 Gallon Sub-Base Fuel Tank



YANMAR

M&L Engine, LLC

1212 Saint Charles St. Houma, LA 70360
(985) 857-8000 ♦ (800) 960-0068

www.mlengine.com email: sales@mlengine.com