

3" GASOLINE SELF PRIME PUMP

Model Number: ML-PA-WP30-3001

POWERED BY: **KOHLER**

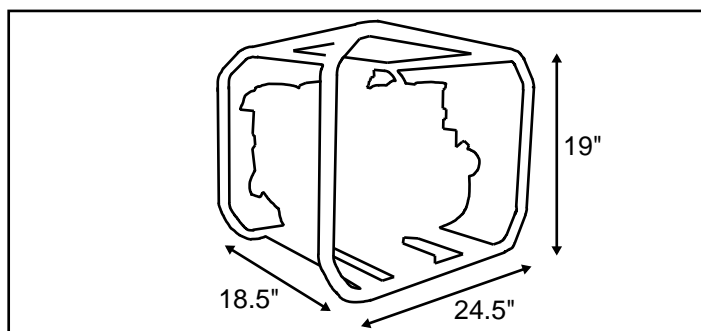
Pump Specifications

- Kohler Industrial Air Cooled Gasoline Engine
- Kohler Cast Aluminum Pump
- Self Priming
- Recoil Start
- Roll Bar Skid
- Hose Barb Connections with Clamps Included
- Suction Strainer
- Fuel Tank
- Sentry Low Oil Shutdown
- 3 Year Factory Kohler Warranty



Pump Features

Suction & Discharge Ports	3NPT
Max Flow (GPM)	265
Max Head (Feet)	98
Max Solids Handling	N/A
Max Lift (Feet)	26
Maximum Working Pressure	37 psi
Dimensions L x W x H	24.5x18.5x19



Overall Weight: 77lbs

Optional Accessories

- Kohler Wheel Barrow Handle Kit
- Kohler 2 Wheel Kit
- Kohler Leg Kit (Included with 2 Wheel Kit)
- Kohler Cord Management Kit
- Spark Arrestor Option
- Battery and Battery Cables

M&L Engine, LLC
1212 Saint Charles St.
Houma, LA 70360
(985) 857-8000
(800) 960-0068

www.mlengine.com email: sales@mlengine.com

