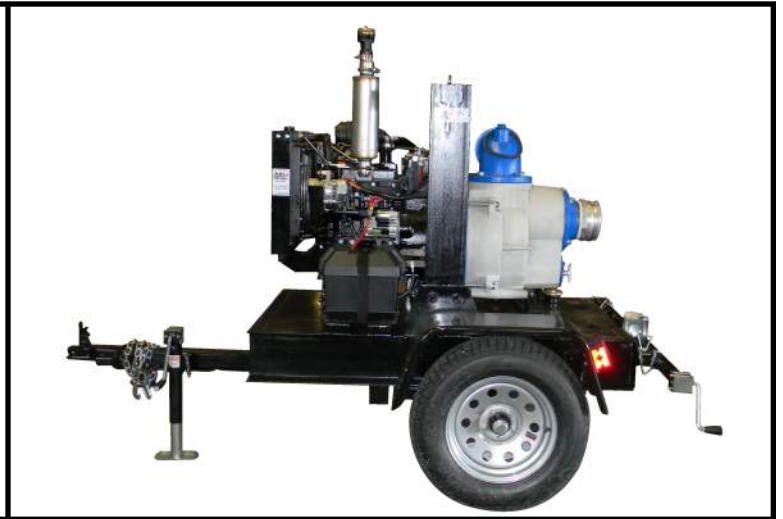


INDUSTRIAL DIESEL WET PRIME TRASH PUMP

1000 GPM; 96 FT HEAD

Model: ML6YELDHD

POWERED BY: YANMAR DIESEL



Specifications

- Yanmar Heavy Duty Industrial Liquid Cooled Diesel Engine
- IPT Cast-Aluminum Pump by Gorman Rupp with Cast Iron Volute and Stainless Steel Impeller
- 12 Volt Starter and Alternator
- Steel Skid Mounted with Center Point Lifting Eye
- Control Panel with Key Switch and Hour Meter
- Automatic Safety Shutdown for Low Oil and High Temperature
- 6 inch Female NPT Threaded Connections
- Discharge Elbow Rotates 360 degrees
- Quick Clean Out Port
- Self-Primes to 20ft with Built In Buna Check Valve

- Seal Wash Feature for Extended Seal Life
- 55 Gallon Sub-Base Fuel Tank with Gauge and Lockable Fuel Cap
- Stabilizer Jacks (trailer Mounted)
- 2 Year / 2000 Hour Engine Warranty

Pump Features

Mechanical Seal	Viton©/Silcon Carbide
Suction & Discharge Ports	Female 6 FPT
Max Flow (GPM)	1,000
Max Head (Feet)	96
Max Solids Handling	3 inch
Max Lift (Feet)	20
Maximum Working Pressure	60 psi
Skid Mounted Dimensions L x W x H	60x35x51
Trailer Mounted Dimensions L x W x H	103x53x72
Skid Mounted Weight	TBA
Trailer Mounted Weight	1714lbs

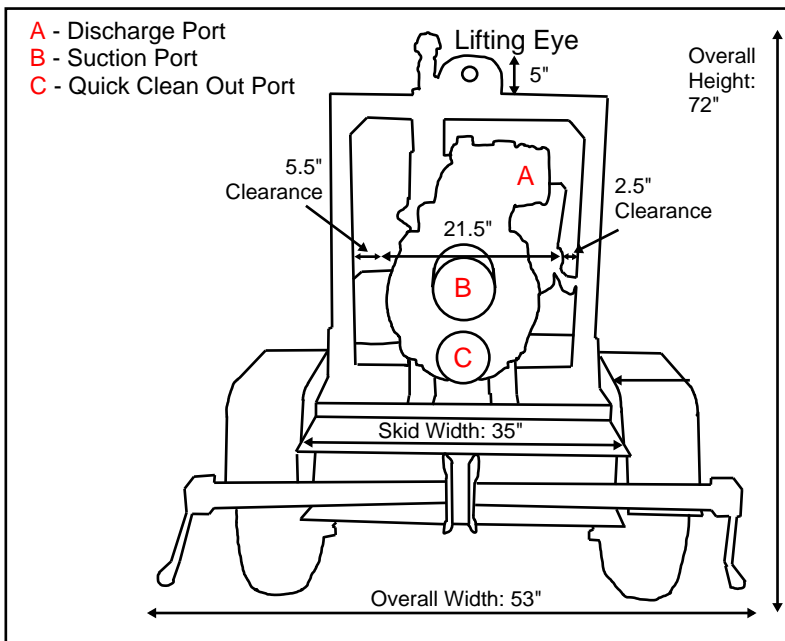
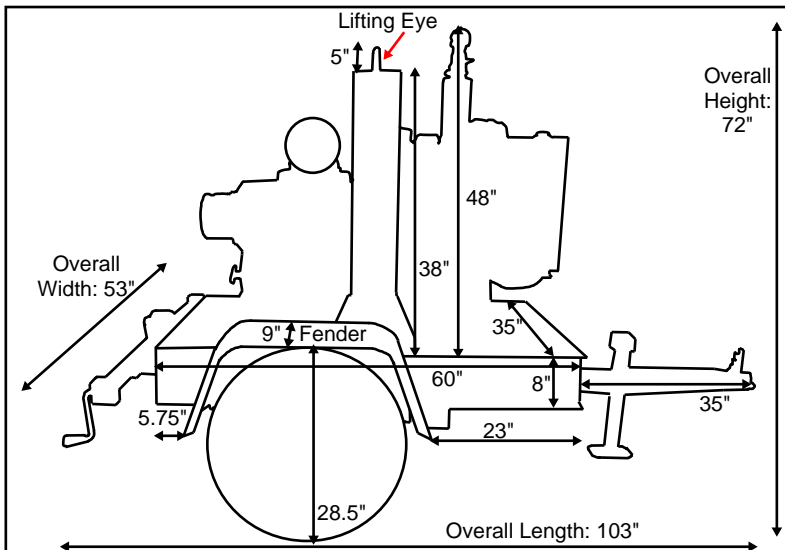
Engine Specifications

Manufacturer	Yanmar
Engine Model	3TNM74F
Cylinder Arrangement	3 in-line 4 cycle
Rated RPM	3600
Horse Power at Rated RPM (bhp)	23
EPA Certification	Final Tier 4

Approx Fuel Consumption, (GPH):

100% Load	1.3
75% Load	0.9
50% Load	0.6

Dimensions and Weights



Total Weight Including Trailer and Fuel Tank: 1714 lbs

Standard Control Panel



Optional Deluxe Panel



Optional Murphy Mechanical Panel



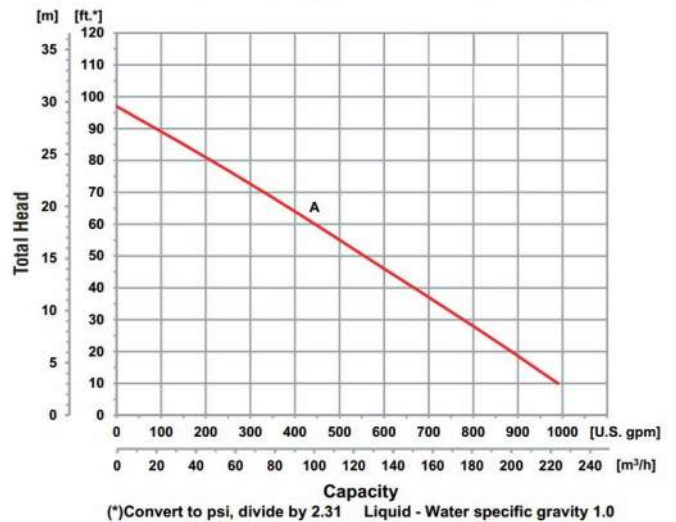
Optional Electric ML Murphy Tach Panel



Optional Accessories

- 6 X 20' PVC Suction Hose with Strainer
- 6 X 50' Lay Flat Discharge Hose
- Battery and Battery Cables
- Spark Arrestor
- Trailer Package

Performance of Engine Driven Trash Pumps



M&L Engine, LLC

1212 Saint Charles St. Houma, LA 70360

(985) 857-8000 ♦ (800) 960-0068

www.mlengine.com email: sales@mlengine.com