

DIESEL PRESSURE WASHER

Model Number: ML3000KRAD-PW / ML3000KEAD-PW

POWERED BY: **KOHLER** Diesel

Diesel Pressure Washer Specifications

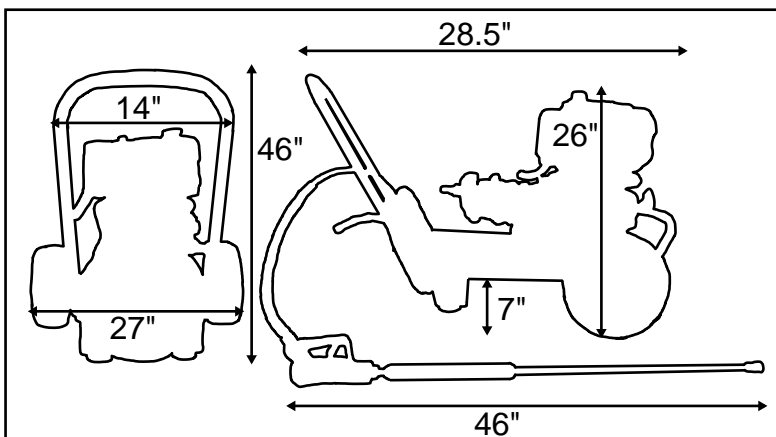
- Kohler KD420 9.8hp Heavy Duty Industrial Air Cooled Diesel Engine with 1" Keyed Shaft
- Heavy Duty Industrial Pressure Pump
- 3,000 psi / 4 gpm by CAT Pumps
- Recoil or Electric Start
- Aluminum Tire Cart with Handle
- 3/8" x 50' Pressure Hose with Quick Connects
- Trigger Gun Assembly
- Quick Connect Spray Tips
- Fuel Tank
- Engine Oil
- Fuel and Oil Filters
- Shop Tested
- 3 Year Engine Warranty



Pressure Washer Features

Shaft Size	1" keyed
Maximum Working Pressure	3000 psi
Maximum GPM	4 gpm
Dimensions L x W x H	46" x 28.5" x 27"
Weight	186 lbs

Dimensions



Optional Accessories

- Spark Arrestor Option
- Emergency Air Intake Shutdown Option
- Electric Start with 12 Volt Starter / Alternator and Control Panel & Key Switch
- Battery
- Battery Tray

M&L Engine, LLC
1212 Saint Charles St.
Houma, LA 70360
(985) 857-8000
(800) 960-0068

www.mlengine.com email: sales@mlengine.com

