

# DIESEL PRESSURE WASHER

Model Number: ML3000YRAD-PW / ML3000YEAD-PW

POWERED BY: **YANMAR**

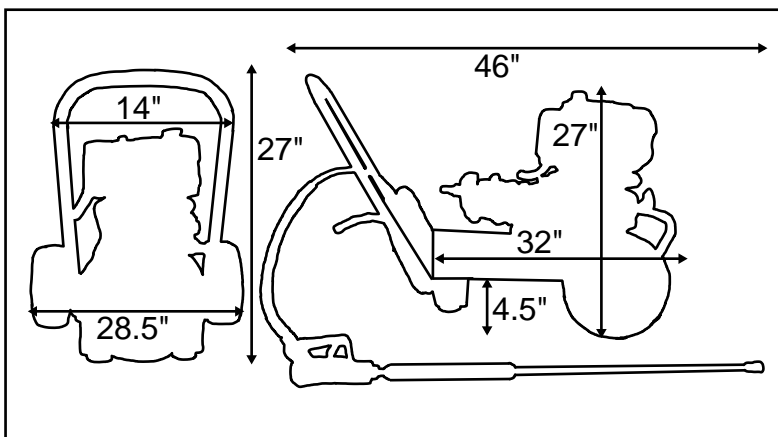
## Diesel Pressure Washer Specifications

- Yanmar L100 9.3hp Heavy Duty Industrial Air Cooled Diesel Engine with 1" Keyed Shaft
- Heavy Duty Industrial Pressure Pump
- 3,000 psi / 4 gpm by CAT Pumps
- Recoil or Electric Start
- Aluminum Tire Cart with Handle
- 3/8" x 50' Pressure Hose with Quick Connects
- Trigger Gun Assembly
- Quick Connect Spray Tips
- Fuel Tank
- Engine Oil
- Fuel and Oil Filters
- Battery Cables
- Shop Tested
- 2 Year / 2,000 Hour Engine Warranty

## Pressure Washer Features

Shaft Size	1" keyed
Maximum Working Pressure	3000 psi
Maximum GPM	4 gpm
Dimensions L x W x H	47" x 28.5" x 27"
Weight	206 lbs

Dimensions



## Optional Accessories

- Spark Arrestor Option
- Emergency Air Intake Shutdown Option
- Electric Start with 12 Volt Starter / Alternator and Control Panel & Key Switch
- Battery
- Battery Tray
- Battery Box

**M&L Engine, LLC**  
1212 Saint Charles St.  
Houma, LA 70360  
(985) 857-8000  
(800) 960-0068

[www.mlengine.com](http://www.mlengine.com) email: [sales@mlengine.com](mailto:sales@mlengine.com)

